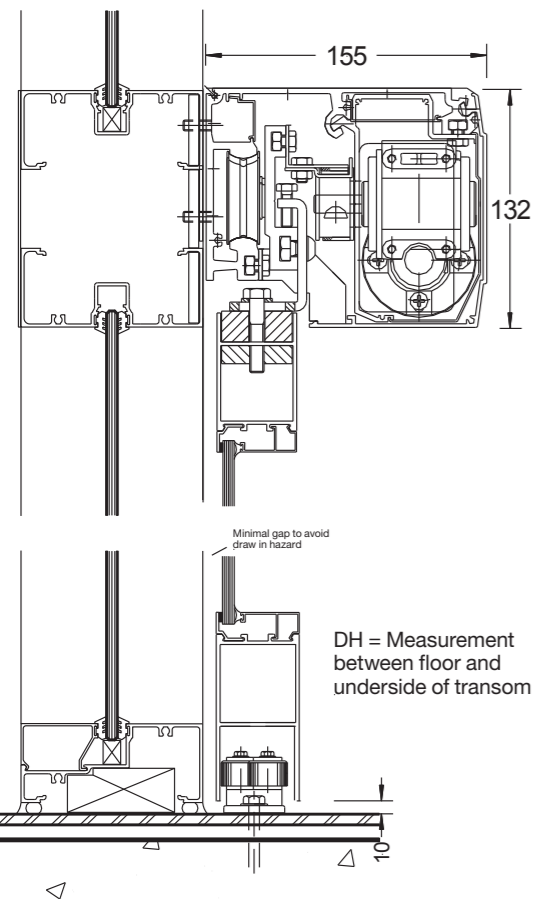


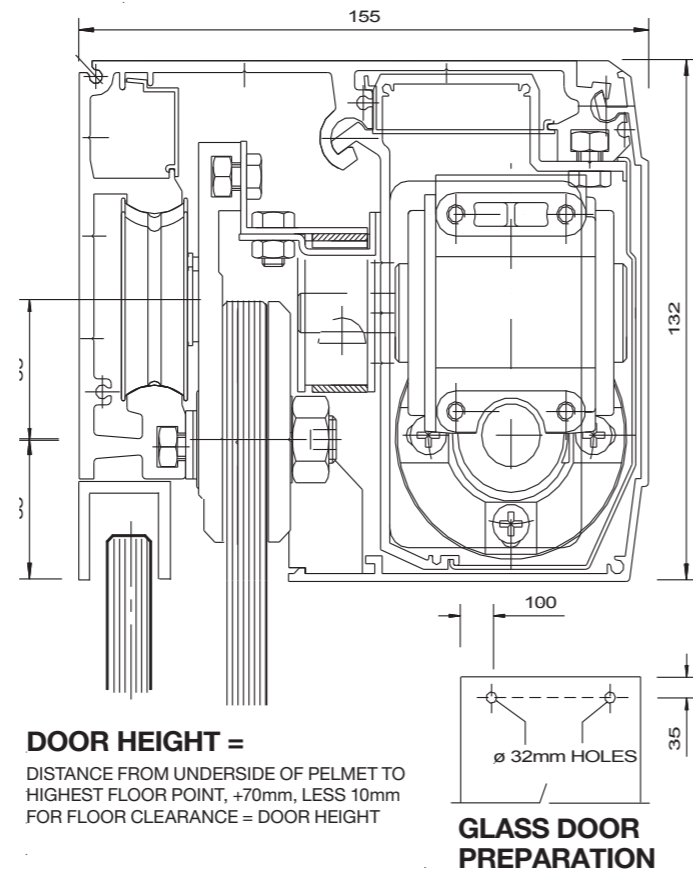
All Australian automatic doors



iDoor A Model



iDoor F Model



innovative, intelligent iDoor™



The Australian standard compliant,
heavy-duty automatic sliding door operator

- **STYLISH** slimline design
- **HI-TECH** modulised and packed with features
- **PERFORMANCE** up to 300kg door weight
- **SAFETY** the latest in sensor technology
- **VALUE FOR MONEY** high quality and performance at an affordable price

Phone: + 61 1300 288 675
Fax: + 61 1300 2347 329
Email: info@idoor.net.au

iDoor™
.net.au

NATA tested on doors weighing 300kg
for one million cycles compliance with AS 5007



The innovative,
Australian designed
and manufactured

iDoor™

iDoor A Model



iDoor F Model



An automatic sliding door operator that offers a precision driven, stylishly designed, low-profile automatic door system that delivers world-class performance at a cost-effective price.

Advances in design technology and direct to the trade marketing policies means that costs and overheads for iDoor products have been reduced, meaning the cost savings can be passed on to the trade, making an automatic door entranceway more affordable than ever before.

The iDoor system has been tested by an independent NATA testing lab to be compliant with AS5007-2007. This accreditation means that purchasers can be reassured that the iDoor product has been tested for more than one million cycles under all climate categories and can be relied upon to perform under the most trying of circumstances.

The modular design of the iDoor system makes it quick and easy to install/ commission and service. And with the iDoor's intelligent microprocessor, the iDoor operator is the simplest and easiest to use door operator – without the need for special hand programmers or PIN numbers for servicing.

The iDoor operator comes standard with the following:

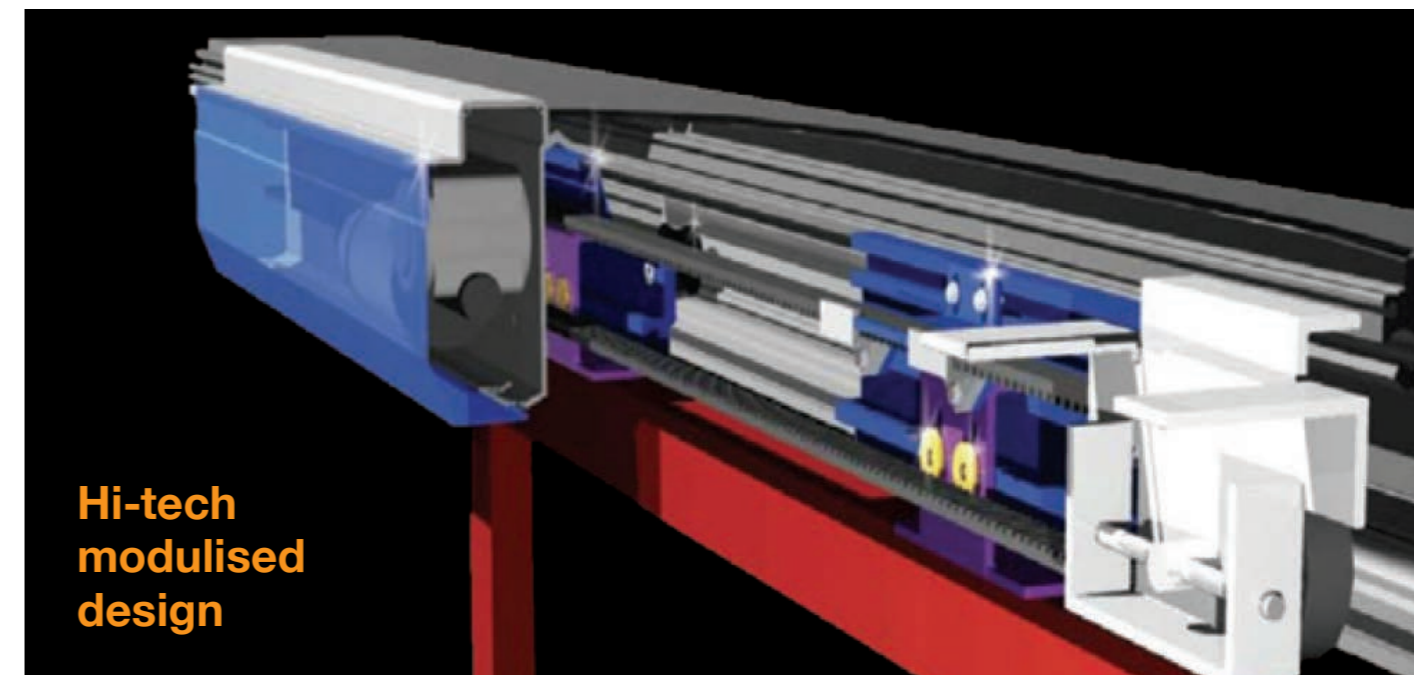
- Cut to size track housing and pelmet up to 4.5 metres. A 6.7 metre length model is also available as an option.
- The pelmet cover is provided in a clear, anodized finish which can be powder coated by the fabricator to match the specified colour required.
- Each iDoor operator is supplied with 2 activation sensors, 1 safety sensor and a digital remote control.
- Each iDoor operator comes with an easy-to-read, step-by-step installation manual and DVD.
- Emergency power fail-safe back up battery system in compliance with building and fire codes.
- All iDoor systems are pre-tested for more than 2 hours on a simulator test rig.
- All iDoor systems are individually assembled and packaged to customer orders and delivered to the customer's address.
- All iDoor systems are pre-wired, ready for installation. No third party technician is required to commission this system.
- 2 year replacement part warranty from date of dispatch from the iDoor factory. Normal wear and tear of track wheel and floor guides is not included.
- iDoor provides a 24 hour telephone tech-support service.
- Labour warranty is covered by the installer.
- Maintenance for the equipment can be arranged at the request of the end-user.
- The iDoor operator complies with AS 5007-2007. A NATA testing report is available on request.

iDoor operator design features

- iDoor unique environmental protection cover
- iDoor computer control in a single module, containing all electrical components for ease of service and maintenance
- High-strength reinforced fibre-toothed belt for quiet operation and maximum performance.
- Heavy-duty concaved track wheels (6 per door).

iDoor operational features

- Australian made and owned
- NATA tested for Australian standards
- Easy to install design
- High security, electric motor locking
- No exposed wiring
- Energy efficient/low power usage



Microwave motion sensor x 2



Mode control panel



2-in-1 presence sensor

Technical specifications

Opening width maximum / Operator length up to	3000mm / 6700mm
Total combined weight for biparting doors / Door weight per leaf	300kg / 150kg
Opening speed per double leaf variable	25 – 1300mm/sec
Closing speed per double leaf variable / Door open dwell time, variable	25 – 1300mm/sec
Manual opening/closing force	0 – 60 sec <30 N
Operator size height / depth	132mm / 155mm
Fail safe / fail secure	Yes / yes
Airlock function	Yes
Press closed function	Yes
Climate control (reduced opening) function noise attenuation	Yes 32 Db optional
Keypad control	Yes
Safety stop	Yes
Safety return	Yes
Safety beam shut off when closed	Yes
Fire alarm activation	Yes
Exit only function	Yes
Battery backup	Yes
UPS when locked	Yes
UPS in all conditions	Optional
Open/closed positional signal	Optional
High security electric locking using motor lock technology	Optional
Locked/unlocked signal	Yes
Open/closed positional signal	Yes
Memory setting retained without power/Operating power	Yes
Appliance rating	24 volts/40 watts
Memory setting retained without power supply	Yes

For more information visit www.idoor.net.au or call +61 1300 288 675